

TT10

english



TECHNOALPIN®



TT10

TECHNOALPIN

TECHNOALPIN

TT10

THE BEST JUST GOT BETTER.

Technological innovation has always been part of the DNA of TechnoAlpin. The focus of development work at the company is therefore always on the on-going improvement of the products. The TT10 is an expression of this passion for advanced engineering and has taken the TR10 fan gun to a whole new level – quite literally. The TT10 fan gun combines the guarantee of the best snow quality, optimum use of resources and maximum user-friendliness with unique technology and unprecedented simplicity.

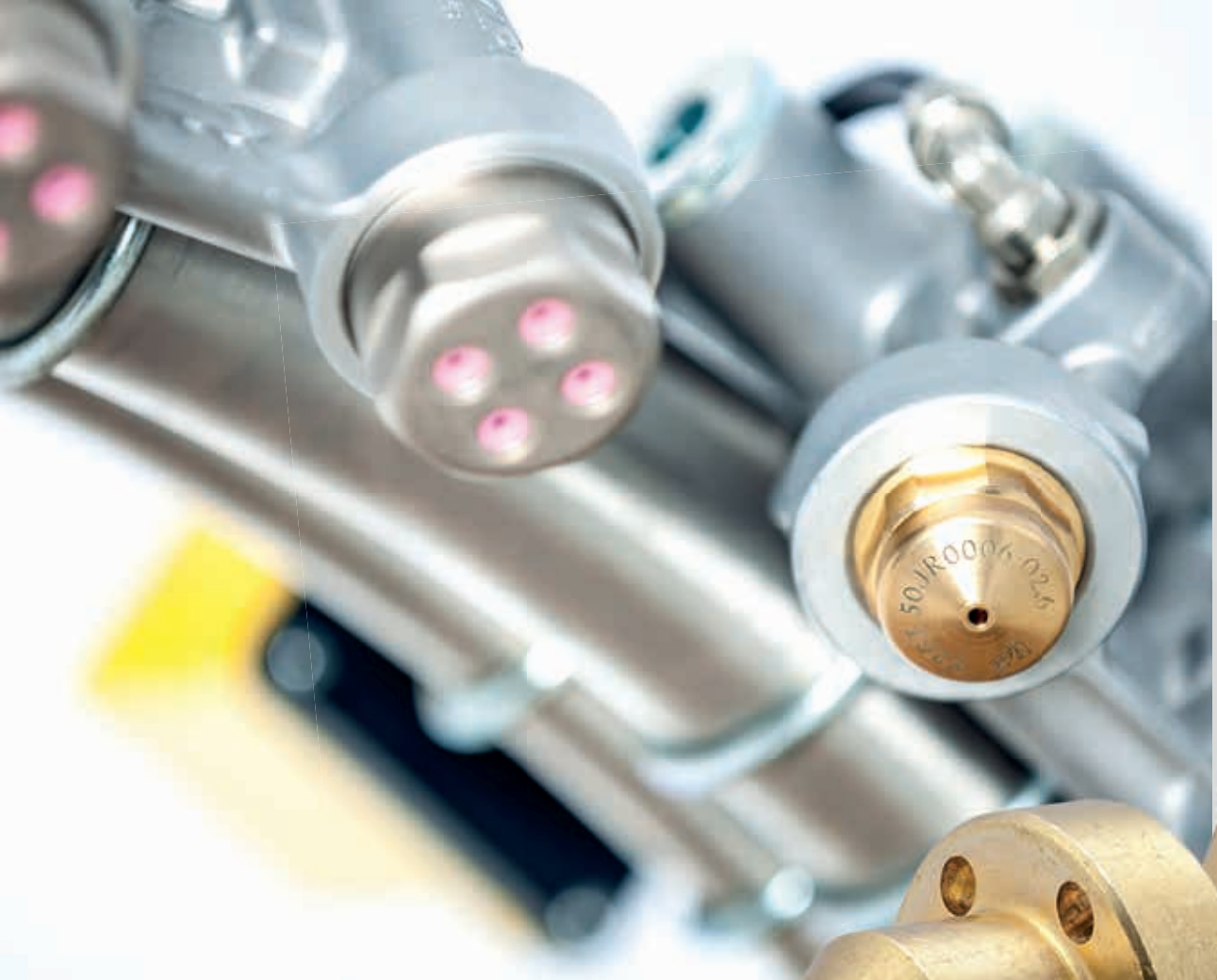


TECHNOALPIN®



TT10





TT10



**SAME STANDARD
OF EXCELLENCE IN SNOWMAKING:
QUALITY SNOW
WITHOUT COMPROMISE.**

The TT10 is as impressive as the TR10 when it comes to excellence, with its outstanding nozzle valve technology enabling optimum energy efficiency and resource conservation. The water/air cooler provides unsurpassed snow output, especially at borderline temperatures, and the nucleators with double ruby inserts guarantee top snowmaking performance for years.

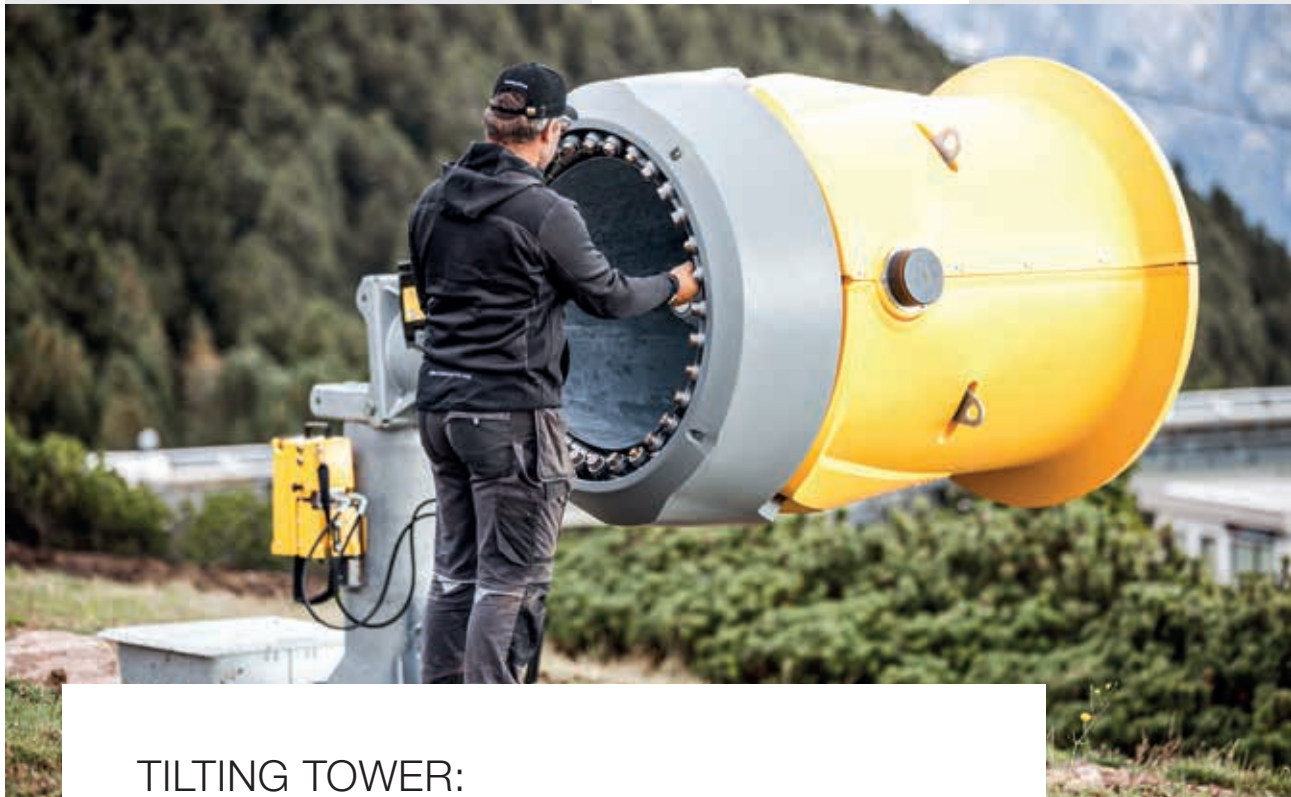
TECHNOALPIN®

**GREAT POTENTIAL
FOR CUSTOMIZATION:
CATERING TO YOUR EXACT NEEDS.**

The TT10 can be used in any field of application and can meet any requirement. The fan gun can be configured to individual specifications without any constraints. This reduces costs for unused features, while ensuring the highest performance level for all ski areas and in any conditions. Optional extras available for the TT10 include a touch display, meteo station, motorized electric swivel function, and height adjustment facility.



TT10



TILTING TOWER: TOPPING IT ALL OFF.

An innovative new tilting tower turns the TT10 into a snow producer which combines the advantages of a tower-mounted machine with the ease of maintenance of a mobile fan gun. The tower can simply be tilted to allow access to all components, like the nozzle valve, the compressor inside the turbine and the turbine motor. Inspection and maintenance can be done safely from the ground, completely eliminating the need for a ladder.



TECHNOALPIN®

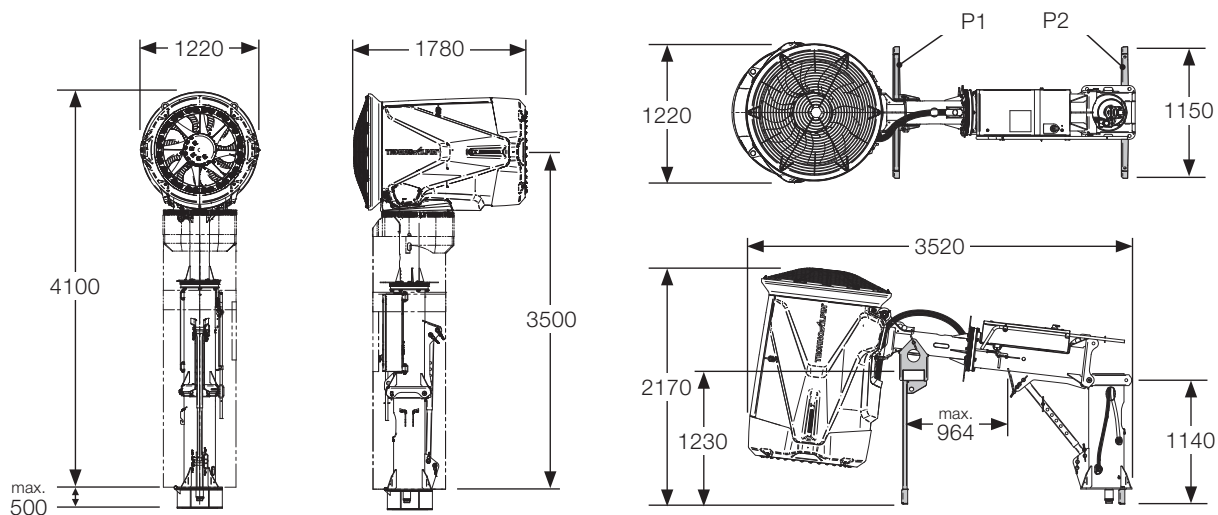


READY FOR IMMEDIATE ACTION
AND SAFE OPERATION:
QUICK INSTALLATION
THANKS TO WEIGHTLESSNESS.

The TT10 is delivered pre-assembled and therefore only needs to be fitted in place on its base, in the ski area. It weighs a mere 800 kg, simplifying and speeding up the installation process.

TT10

TECHNICAL DATA



Electrical characteristics

Nominal voltage	400 V
Nominal frequency	50 Hz
Nominal current	41 A*
Connection plug	5x63 A
Nominal power POWER UNIT (turbine + compressor)	22 kW
Heating	1.3 kW

Weights

Snow gun - compressor	825 kg
Transport element P1	35 kg
Transport foot fixed column P2	10 kg

Dimensional data

Snow gun length	1,780 mm
Snow gun width	1,220 mm
Snow gun height	4,100 mm

Miscellaneous

Operating temperature	-25 ÷ +2 °C
Rotational speed	1,500 rpm
Turbine inclination	45 deg.
Horizontal rotation	320 deg.
Swing (automatic)	320 deg.

Water

Operating pressure	8 ÷ 40 bar
Water filter	250 micron
Water connection - Camlock	2"

Nozzle configuration

Nucleators	8
Fixed Quadrijet nozzles	8
Controllable Quadrijet nozzles	16

Data are subject to change depending on the type of plant and/or the country of installation (please always refer to the wiring diagrams).

* Measurements at nominal voltage at 1,500 m above sea level and at a temperature of 0 °C.



WWW.TECHNOALPIN.COM